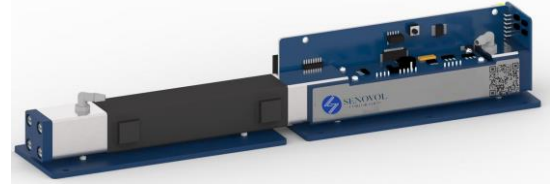
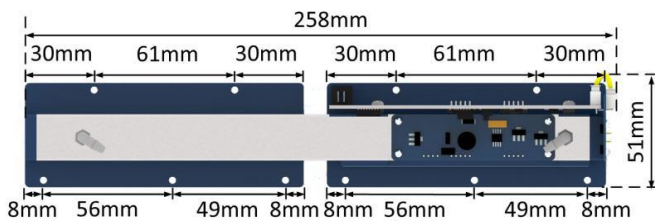


Senovol NDIR-SF6 sensor is designed using Non-dispersive Infrared (NDIR) technology for the detection of Sulfur hexafluoride (SF6). SF6 is toxic and mainly used in the electrical industry as a gaseous dielectric medium for high-voltage sulfur hexafluoride circuit breakers, switchgear, and other electrical equipment.



Product Dimensions



Top View



Side View

All dimensions in mm

Performance

| | |
|---------------------|--------------------------------|
| Sensor principle | non-dispersive infrared (NDIR) |
| Measurement range | 0 ~ 200 ppm SF6 |
| Resolution | < 60 ppb |
| Response time | < 1 second (Responsible) |
| | < 12 seconds (@500 ml/min) |
| Recovery time | < 12 seconds (@500 ml/min) |
| Recovery time | ≤ 10 seconds @500 ml/min |
| Long-term stability | being tested |
| Tolerance | ±100 ppb (0 ~ 10ppm) |
| | ±2 ppm (10 ~ 100ppm) |
| Reading Unit | ppb |
| Detection Limit | 100 ppb |

Lifetime

| | |
|---------------------|--------------|
| Storage temperature | -20°C ~ 50°C |
| Operating lifetime | > 5 years |
| Storage life | > 5 years |
| Warranty | 18 months |

Electrical

| | |
|-------------------|------------------------------|
| Supply voltage | 9 ~ 24 VDC (Pin #9) |
| Working current | < 150 mA at 9 VDC |
| Power consumption | < 1.0 W Average |
| | < 1.5 W @ peak |
| Warm-up time | 3 min (Tolerance ± 1 ppm) |
| | 60 min (Tolerance ± 100 ppb) |
| Output voltage | NR |

Mechanical

| | |
|--------------|-----------------|
| Optical path | Stainless steel |
| Weight | 540 grams |

Environmental

| | |
|-------------------|----------------------------|
| Temperature range | 0°C ~ 40°C |
| Pressure range | 1 atm ± 50% |
| Humidity range | 0% ~ 85% RH non-condensing |
| Flow rate | 300 ~ 800 ml/min |

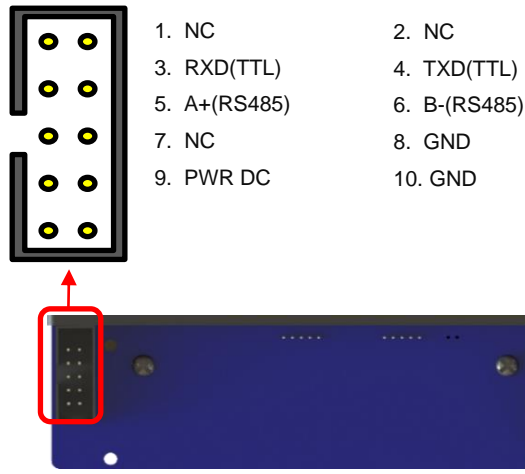
Approvals

Pending

Caution

The presence of condensed water and dust has the potential to harm the sensor, so adding filters to keep them out is highly recommended. Additionally, sensor damage can result from mechanical shock and electrical overload.

Pinout Details



Accessories Included

- Tygon Tube: Polyethylene (Transparent), Length 50 mm x 2, Diameter 3.2 mm x 6.4 mm
- Ribbon Cable: Length 400 mm, 10-pin, 28 AWG, Gray, Female Connector (2 x 5), 2.54 mm pitch

Safety Note

If the sensor is used in certain instruments for life critical applications, it is required to read the instrument user's guide carefully and comply with the calibration procedures by using the certified target calibration gas before each use. Failure to do so may cause serious injury and/or fatality. It is highly recommended for customers to validate the sensor performance using this document as a reference for their product designs or applications.